



## 6LE-AURA-REM-CT

6" APERTURE REMODEL DIRECT  
LED RECESSED DOWNLIGHT  
COLOR TUNING

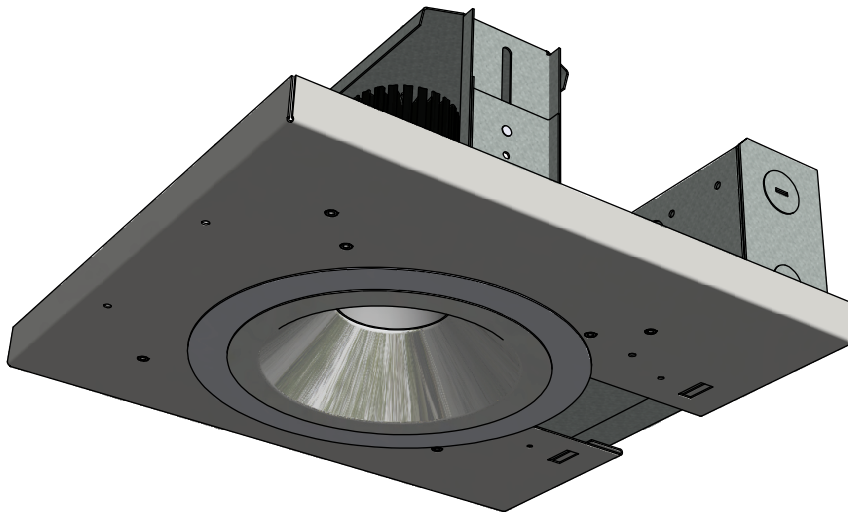
araya<sup>5</sup>  
TUNABLE COLOR

Clarus AURA series LED  
products feature araya®  
LED Modules by Lumenetix.

### PERFORMANCE CHARACTERISTICS

DISTRIBUTION: 100% Down / 0% Up  
FIXTURE EFFICIENCY: 96%

MODEL	LUMENS	WATTS	LM/W
6LE-AURA-REM-CT	2000	32.0	62
6LE-AURA-REM-CT	1200	20.0	60
6LE-AURA-REM-CT	800	12.5	64



Clarus AURA series fixtures feature a wide range of color and dimming controls.

Features include:

Lumenetix araya5 Tuneable LED Technology

Tuneable White Light with settable Color Temperatures and Color Saturation

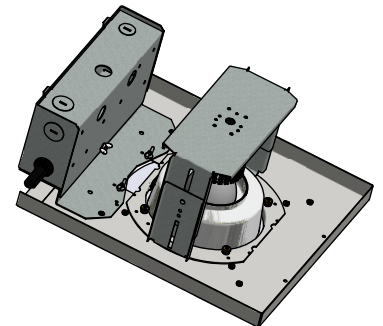
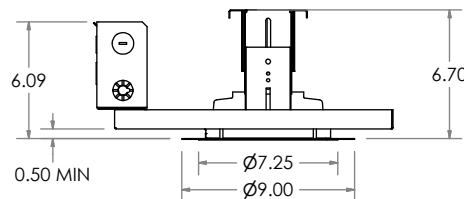
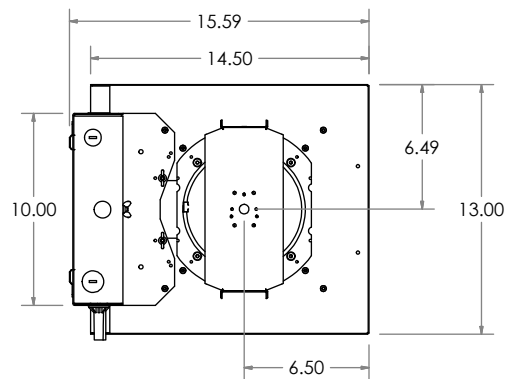
Output up to 2000 lumens

CRI and R9 values >90CRI

Multiple beam spread options

Multiple reflector color options

Control Protocol Options - 0-10v, DMX, Bluetooth via IOS App for iPad or iPhone, Lutron Ecosystem



Fixture configuration and options chosen may have an affect on fixture dimensions. Consult factory if installing in a restricted space.

FIXTURE TYPE: --

MODEL NO: --

PROJECT: --

NOTES:



MODEL No.: **6LE-AURA-REM** - --- - **R** - **CT** - --- - **1** - --- - --- - --- - --- - --- - --- - ---

SERIES	LUMEN	MOUNTING	BEAM SPREAD	CIRCUIT	SETUP CONTROL	VOLTAGE	REFLECTOR	DIFFUSER	COLOR	EMERGENCY	ELECTRICAL OPTIONS
<b>6LE-AURA-REM</b>	<b>08</b> (800 Lumen)	<b>R</b> (Recessed)	<b>20</b> 20° BEAM	<b>1</b>	<b>C</b> (Commissioning Tool Setup)	<b>1</b> (120v)	<b>H</b> (Haze)				
	<b>12</b> (1200 Lumen)		<b>40</b> 40° BEAM		<b>I</b> (iOS App Setup via Bluetooth)	<b>2</b> (277v)	<b>C*</b> (Champagne)				
	<b>20</b> (2000 Lumen)		<b>60</b> 60° BEAM		<b>CX</b> (Commissioning Tool Setup with DMX capabilities)	<b>3</b> (347v)**	<b>G*</b> (Gold)		<b>SOL</b> (Frosted Solite Regressed Lens)		<b>G</b> (GLR Fuse)
					<b>IX</b> (iOS App Setup via Bluetooth with DMX capabilities)		<b>M*</b> (Gun Metal)				
					<b>CE</b> (Commissioning Tool Setup with Lutron EcoSystem capabilities)		<b>P*</b> (Pewter)				
					<b>IE</b> (iOS App Setup via Bluetooth with Lutron EcoSystem capabilities)		<b>S*</b> (Straw)				
							<b>U*</b> (Umber)				
							<b>T*</b> (Wheat)				
							<b>B</b> (Black Paint)				
							<b>W</b> (White Paint)				

**6LE-AURA WITH CT** - CT DESIGNATES THAT THE LED LIGHT OUTPUT CAN BE COLOR TUNED ACCOMPLISHING A COUPLE DIFFERENT DESIRED OUTCOMES.

1. THE WHITE LIGHT OUTPUT CAN BE ADJUSTED IN COLOR TEMPERATURE FROM WARM TEMPERATURES OF 1650K UP TO COOL TEMPERATURES OF 4000K.

2. COLOR SATURATIONS CAN BE ALTERED CHANGING THE LIGHT OUTPUT FROM "WHITE" TO ANY COLOR OF THE SPECTRUM.

FIXTURES MAY BE PROGRAMMED WITH UP TO 5 PRESET SCENES WHICH CAN BE RECALLED VIA SIMPLE 0-10V CONTROLS (BY OTHERS).

WITH PROPER DMX CONTROL SYSTEMS (BY OTHERS) IT IS POSSIBLE TO SET FIXTURES WITH CT TO CONSTANTLY COLOR CHANGE THRU THE RANGE OF COLORS FOR DYNAMIC ACCENT LIGHTING.

SEE WIRING DIAGRAMS ON FOLLOWING PAGES FOR VARIOUS SETUP AND CONTROL OPTIONS.

SOME OPTIONS MAY NOT BE AVAILABLE IN COMBINATIONS - ALL FIXTURE COFIGURATIONS SUBJECT TO FINAL FACTORY APPROVAL

**\* Anodized reflector colors available (consult factory) but may affect the color of the light output. PMC recommends selecting neutral tone reflectors on AURA series fixtures.**

**\*\* 347v uses an on-board step down transformer**

**PRODUCT SPECIFICATION DATA:**

Clarus AURA series fixtures powered by Lumenetix araya5 tunable LED technology featuring a wide range of color and dimming options.

Up to 1200lm output, 90+ CRI standard.

20°, 40° and 60° beam spread options available.

Low irridescent Alzak® reflector. Trim flange to match reflector finish is standard. Matte white trim or other colors available - consult factory.

Capable of mounting in a 2" thick ceiling.

Integral heat sink (extruded aluminum) provides minimum 70% lumen maintenance at 50,000 hours.

14 ga galvanized junction box with toolless covers. Suitable for through wiring (4in/4out) #12 AWG.

Fixture should be installed in applications where ambient temperatures do not exceed 50°C.

Factory wired for ease in installation.

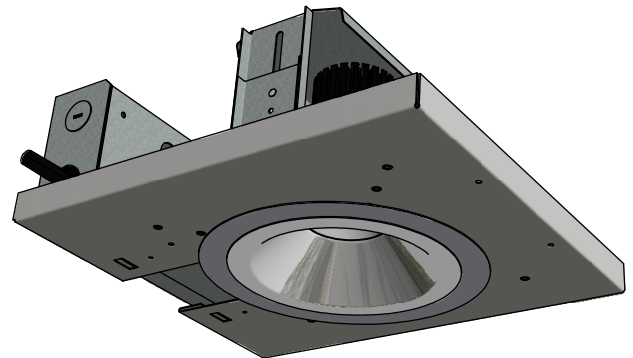
LED Driver accessible from below ceiling.

Fixtures are ETL/cETL listed for damp location, and have standard electronic drivers.

Each fixture is tested at the factory before shipment.

Tested using absolute photometry as specified in LM79: IESNA Approved Method for the Electrical and Photometric Measurements of Solid-State Lighting Products.

CLARUS SERIES LED FIXTURES CARRY A LIMITED 5 YEAR WARRANTY.



**INSTALLATION:**

1. MAKE FEED WIRE CONNECTIONS TO FIXTURE FROM POWER SOURCE INSIDE JUNCTION BOX AND PASS J-BOX AND LED MODULE YOKE ASSEMBLY THRU CEILING HOLE. PUSH OFF TO SIDE TEMPORARILY.
2. PASS MOUNTING RING ASSEMBLY THRU CEILING HOLE AND SET ASIDE TEMPORARILY. PASS CEILING ADAPTER TRAY THRU CEILING HOLE. TRAY IS "C" SHAPED TO ALLOW IT TO ROTATE THRU HOLE.
3. POSITION TRAY ABOVE APERTURE AND CENTERED. POSITION MOUNTING RING ASSEMBLY ABOVE TRAY. CLIPS ARE PROVIDED TO SECURE TRAY TO CEILING. SCREW THRU CLIPS AND TRAY INTO MOUNTING RING.
4. BRING LED MODULE YOKE OVER MOUNTING RING AND ATTACH WITH WINGNUTS. BRING J-BOX ASSEMBLY OVER MOUNTING RING AND ATTACH WITH SCREWS THRU THE "C" CUTOUT IN THE TRAY.
5. POSITION TRIM RING OVER CEILING HOLE AND PASS REFLECTOR THRU TRIM RING INTO LED FIXTURE MODULE ENGAGING SPRING RETENTION CLIPS.



100 GILBANE STREET - WARWICK, RI - 02886  
 TEL: (401)738-7266 FAX: (401)738-0618  
 www.PMCLIGHTING.com

CONSULT FACTORY OR VISIT OUR WEBSITE FOR SPECIFIC INSTALLATION INSTRUCTIONS

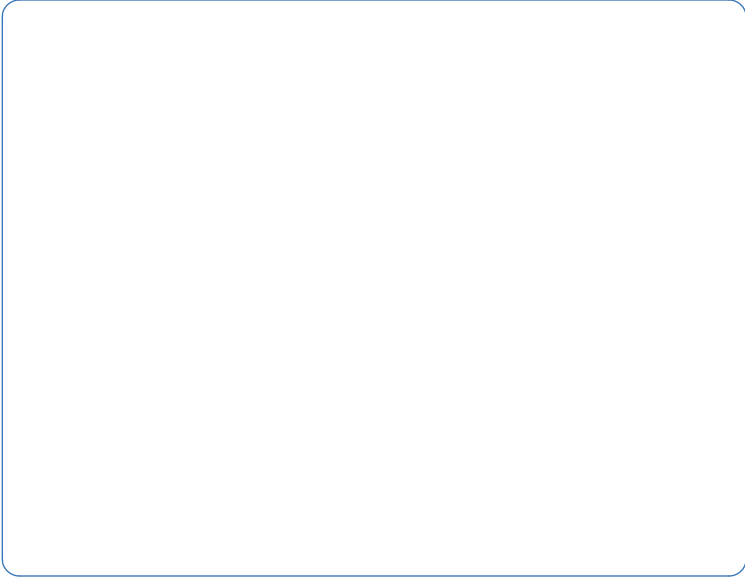
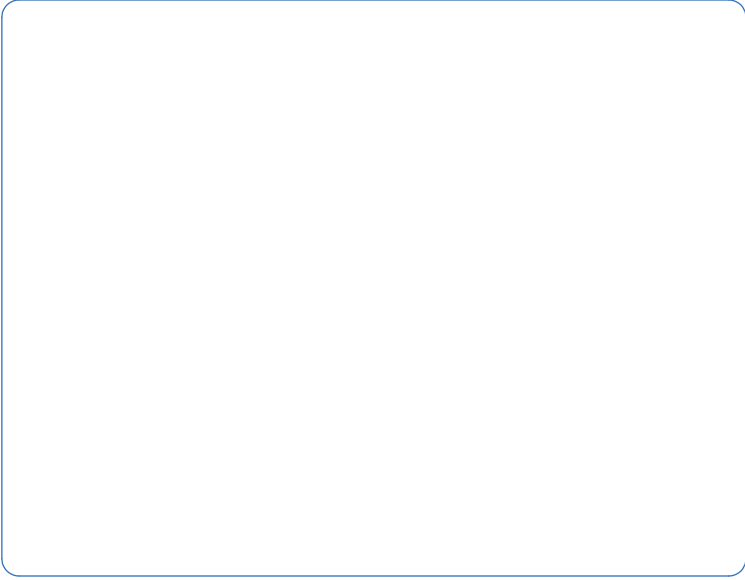
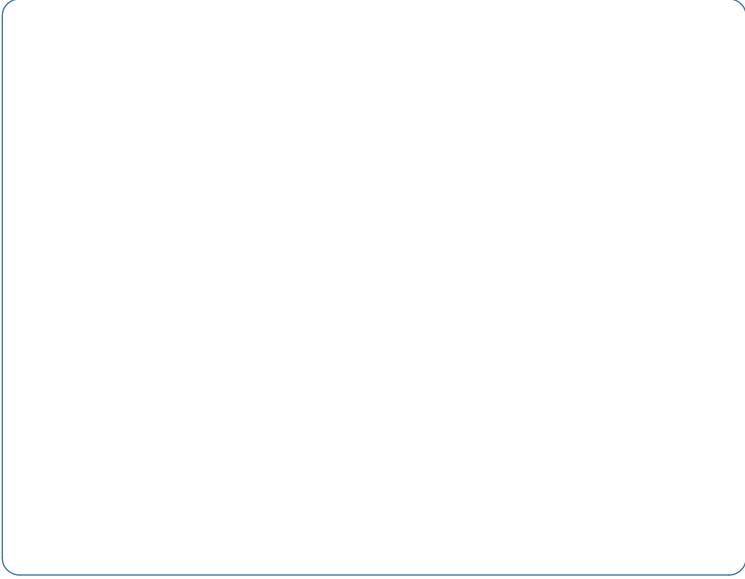
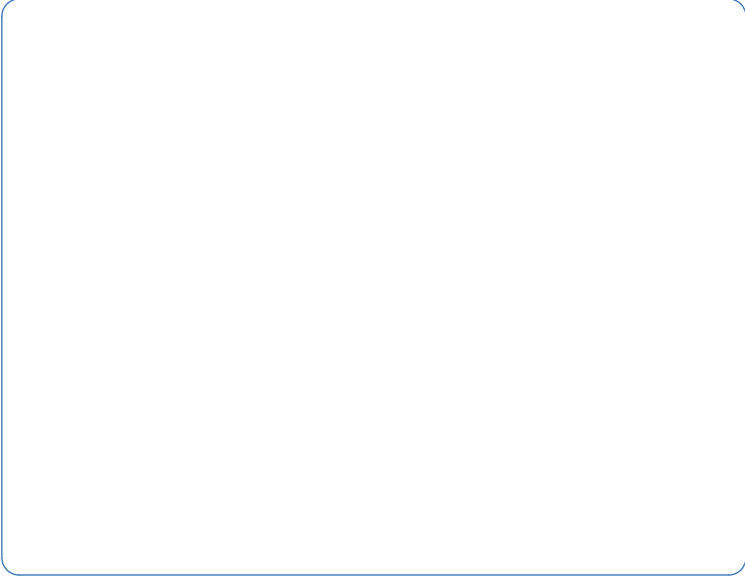
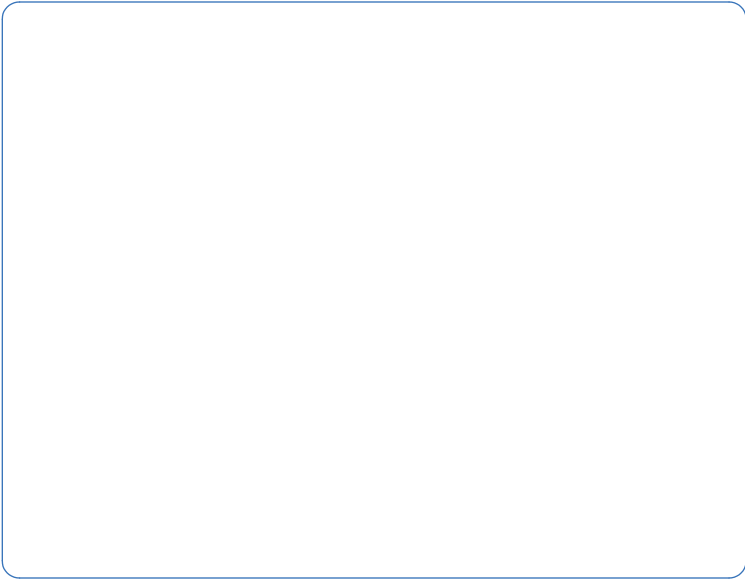
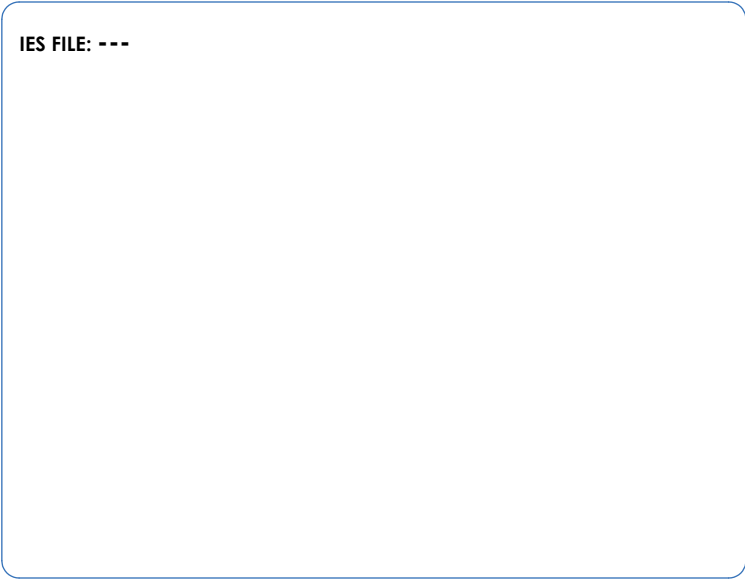
Specifications and Dimensions are subject to change without notice.

6LE-AURA-REM-CT - 000

# PHOTOMETRICS

CONSULT FACTORY OR VISIT OUR WEBSITE FOR ADDITIONAL PHOTOMETRIC DATA

IES FILE: ---



# INSTALLATION / WIRING

## READ AND UNDERSTAND THESE INSTRUCTIONS BEFORE INSTALLING LUMINAIRE.

This luminaire is intended for installation in accordance with the National Electrical Code and local regulations.  
To assure full compliance with local codes and regulations, check with your local electrical inspector before installation.  
To prevent electric shock, turn off electricity at main power supply before proceeding. Retain these instructions for maintenance reference.

6LE-AURA SERIES FIXTURE MUST BE INSTALLED IN AMBIENT TEMPERATURE ENVIRONMENTS NOT EXCEEDING 50°C TO AVOID POSSIBLE DAMAGE TO THE LED MODULE FROM OVERHEATING. 6LE-AURA SERIES LUMINAIRES INCORPORATE LED MODULES WITH ON-BOARD THERMAL PROTECTION WHICH REDUCES CURRENT TO THE LED WHEN THE MAXIMUM TEMPERATURE IS EXCEEDED PREVENTING OVERHEATING BY SLIGHTLY DIMMING THE LED MODULE.

## ELECTRICAL CONNECTIONS TO BE MADE IN ACCORDANCE WITH ALL APPLICABLE LOCAL AND NATIONAL CODES

CONNECT SUPPLY HOT TO BLACK FIXTURE WIRE  
CONNECT SUPPLY COMMON TO WHITE FIXTURE WIRE  
CONNECT GROUND TO GREEN OR BARE COPPER FIXTURE WIRE (DEPENDENT ON MODEL)  
DISCONNECT ALL POWER TO FIXTURE BEFORE MAKING OR CHANGING ANY CONTROL WIRE CONNECTIONS

## 6LE-AURA-CT with "C" Setup / Control Option

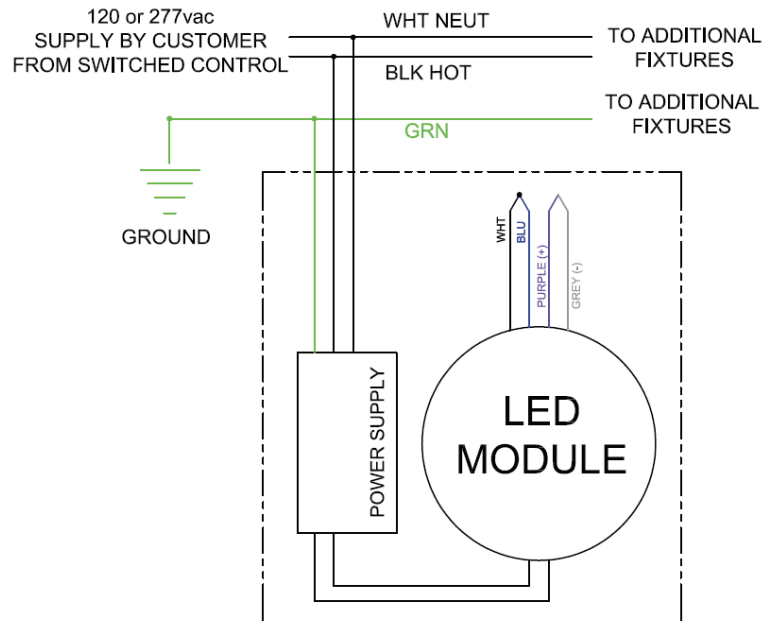
### WIRELESS OPERATION USING THE COMMISSIONING TOOL (LCT)

FOR COMPLETE WIRELESS OPERATION USING THE LCT COMMISSIONING TOOL TO CONTROL DIMMING, CCT, COLOR HUE AND COLOR SATURATION:

THE PURPLE AND GREY CONTROL WIRES MUST BE CONNECTED TO EACH OTHER

THE BLUE AND WHITE CONTROL WIRES MUST BE CONNECTED TO EACH OTHER

NOTE: FOR COMMISSIONING TOOL (LCT) SETUP AND OPERATION FIXTURES MUST BE ORDERED AS "C" TO BE ABLE TO COMMUNICATE WITH THE LCT. "I" FIXTURES DO NOT HAVE LCT COMMUNICATION CAPABILITIES.



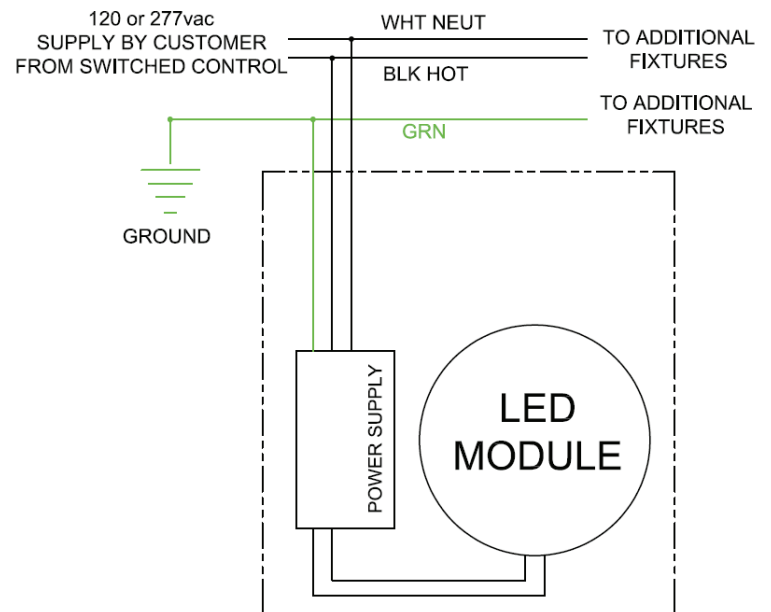
## 6LE-AURA-CT with "I" Setup / Control Option

### WIRELESS OPERATION USING iOS APP FOR iPhone or iPad

FOR COMPLETE WIRELESS OPERATION USING THE iOS APP FOR iPhone or iPad TO CONTROL DIMMING, CCT, COLOR HUE AND COLOR SATURATION:

NO CONTROL WIRES ARE ATTACHED TO THE LED MODULE

NOTE: FOR iOS APP SETUP AND OPERATION FIXTURES MUST BE ORDERED AS "I" TO INCLUDE BLUETOOTH COMMUNICATION. "C" FIXTURES DO NOT HAVE BLUETOOTH CAPABILITIES.



100 GILBANE STREET - WARWICK, RI - 02886  
TEL: (401)738-7266 FAX: (401)738-0618  
www.PMCLIGHTING.com

CONSULT FACTORY OR VISIT OUR WEBSITE FOR SPECIFIC INSTALLATION INSTRUCTIONS

Specifications and Dimensions are subject to change without notice.

6LE-AURA-REM-CT - 000

# INSTALLATION / WIRING

## READ AND UNDERSTAND THESE INSTRUCTIONS BEFORE INSTALLING LUMINAIRE.

This luminaire is intended for installation in accordance with the National Electrical Code and local regulations.  
To assure full compliance with local codes and regulations, check with your local electrical inspector before installation.  
To prevent electric shock, turn off electricity at main power supply before proceeding. Retain these instructions for maintenance reference.

### 6LE-AURA-CT with "C" or "I" Setup / Control Option

**0-10v DIMMER HARD WIRED CONTROL OF CCT AND DIMMING**  
**WIRELESS CONTROL OF COLOR HUE AND SATURATION USING THE COMMISSIONING TOOL (LCT) or iOS APP**

FOR HARD WIRED CONTROL USING 0-10V DIMMING DEVICES TO CONTROL CCT AND DIMMING:

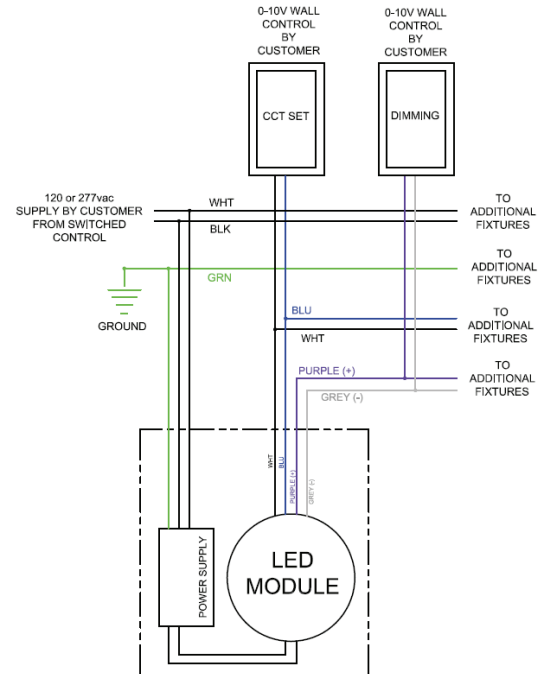
Connect a standard 0-10v Dimming Switch control device to the Blue and White wires on the LED Module control wire assembly. The Dimming Switch will control the CCT over the full tunable range of the module.

Connect a standard 0-10v Dimming Switch control device to the Purple and Grey wires on the LED Module control wire assembly. The Dimming Switch will control the Dimming over the full dimming range of the module.  
Minimum dimming level is 1%.

Color Hue and Saturation are controlled wirelessly by the LCT Commissioning Tool.

For non-dimming applications connect Purple and Grey wires on the LED Module together and use the LCT Commissioning Tool set the desired light output level. Fixture will retain this output level.

DO NOT USE THE ON-OFF SWITCHING OF THE DIMMER USED FOR CCT CONTROL TO POWER THE FIXTURES. FIXTURES MAY BE POWERED ON AND OFF FROM THE DIMMER USED FOR DIMMING.



### 6LE-AURA-CT with "C" or "I" Setup / Control Option

**0-10v DIMMER HARD WIRED CONTROL OF DIMMING**  
**WIRELESS CONTROL OF CCT, COLOR HUE AND SATURATION USING THE COMMISSIONING TOOL (LCT) or iOS APP**

FOR HARD WIRED CONTROL USING 0-10V DIMMING DEVICES TO CONTROL DIMMING:

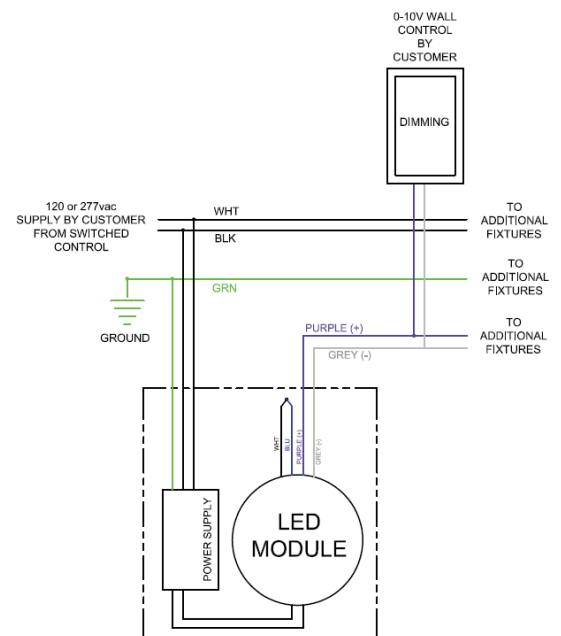
Connect the Blue and White wires on the LED Module control wire assembly together.

Connect a standard 0-10v Dimming Switch control device to the Purple and Grey wires on the LED Module control wire assembly. The Dimming Switch will control the Dimming over the full dimming range of the module.  
Minimum dimming level is 1%.

CCT, Color Hue and Saturation are controlled wirelessly by the LCT Commissioning Tool.

For non-dimming applications connect Purple and Grey wires on the LED Module together and use the LCT Commissioning Tool set the desired light output level. Fixture will retain this output level.

FIXTURES MAY BE POWERED ON AND OFF FROM THE DIMMER USED FOR DIMMING.



100 GILBANE STREET - WARWICK, RI - 02886  
TEL: (401)738-7266 FAX: (401)738-0618  
www.PMCLIGHTING.com

CONSULT FACTORY OR VISIT OUR WEBSITE FOR SPECIFIC INSTALLATION INSTRUCTIONS

Specifications and Dimensions are subject to change without notice.

6LE-AURA-REM-CT - 000

# INSTALLATION / WIRING

## READ AND UNDERSTAND THESE INSTRUCTIONS BEFORE INSTALLING LUMINAIRE.

This luminaire is intended for installation in accordance with the National Electrical Code and local regulations.  
To assure full compliance with local codes and regulations, check with your local electrical inspector before installation.  
To prevent electric shock, turn off electricity at main power supply before proceeding. Retain these instructions for maintenance reference.

### 6LE-AURA-CT with "C" or "I" Setup / Control Option

#### 0-10v DIMMER HARD WIRED CONTROL OF SCENE SET SETTING - NO SECONDARY DIMMING

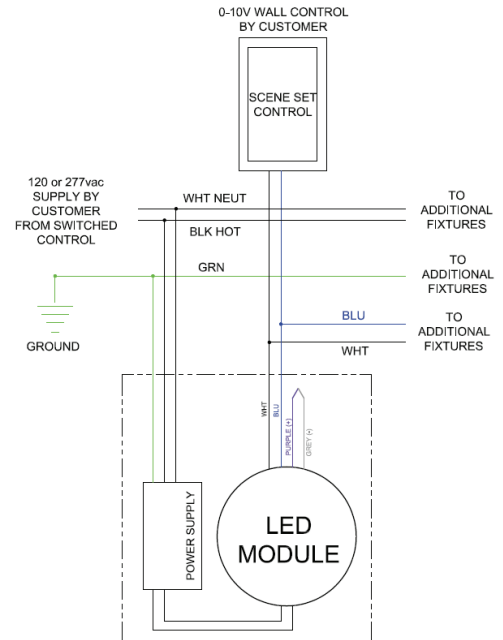
##### FOR SCENE SET HARD WIRING USING 0-10V DIMMING DEVICE

Aura Fixtures are capable of storing 5 different preset output modes called scenes - each mode being a combination of dimming level, color saturation, color hue and color temperature. These levels are set wirelessly via the LCT or using the iOS APP via a Bluetooth connection from an iOS Smartphone or iPad, and are stored in the fixture LED module.

Once programmed - the "scene" can be recalled by use of a standard 0-10v wall dimmer switch. The 0-10v wall dimmer switch is wired to the BLUE and WHITE wires from the LED Module. The slide range is recognized by the LED module as being divided into 5 different zones corresponding to the 5 different preset scenes. While the slide is on zone 1, the module reacts as programmed for scene 1, and so on. To change from scene 1 to scene 2, slide the dimmer control until the scene changes.

When no dimming is to be used, the LED Module purple and grey wires are tied together.

DO NOT USE THE ON-OFF SWITCHING OF THE SCENE SET DIMMER TO POWER THE FIXTURES.



### 6LE-AURA-CT with "C" or "I" Setup / Control Option

#### 0-10v DIMMER HARD WIRED CONTROL OF SCENE SET SETTING AND SECONDARY PROPORTIONAL DIMMING

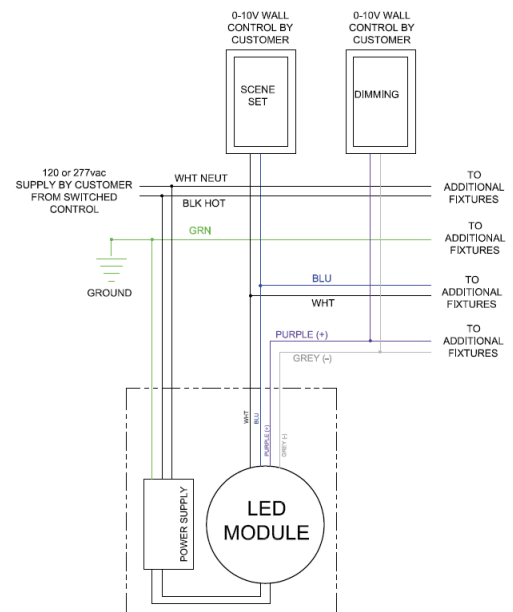
##### FOR SCENE SET HARD WIRING USING 0-10V DIMMING DEVICE

Aura Fixtures are capable of storing 5 different preset output modes called scenes - each mode being a combination of dimming level, color saturation, color hue and color temperature. These levels are set wirelessly via the LCT or using the iOS APP via a Bluetooth connection from an iOS Smartphone or iPad, and are stored in the fixture LED module.

Once programmed - the "scene" can be recalled by use of a standard 0-10v wall dimmer switch. The 0-10v wall dimmer switch is wired to the BLUE and WHITE wires from the LED Module. The slide range is recognized by the LED module as being divided into 5 different zones corresponding to the 5 different preset scenes. While the slide is on zone 1, the module reacts as programmed for scene 1, and so on. To change from scene 1 to scene 2, slide the dimmer control until the scene changes.

When dimming is to be used, the LED module purple and grey wires are tied to a second 0-10v wall dimmer switch. DIMMING IS PROPORTIONAL TO THE DIMMING LEVEL SET FOR EACH SCENE. At 100% on the dimming control the brightness is as set for the particular scene chosen. The dimmer control dims the light output down from that preset level. Minimum dimming level is 1%.

DO NOT USE THE ON-OFF SWITCHING OF THE SCENE SET DIMMER TO POWER THE FIXTURES. FIXTURES MAY BE POWERED ON AND OFF FROM THE DIMMER USED FOR DIMMING.



100 GILBANE STREET - WARWICK, RI - 02886  
TEL: (401)738-7266 FAX: (401)738-0618  
www.PMCLIGHTING.com

CONSULT FACTORY OR VISIT OUR WEBSITE FOR SPECIFIC INSTALLATION INSTRUCTIONS

Specifications and Dimensions are subject to change without notice.

6LE-AURA-REM-CT - 000



# INSTALLATION / WIRING

## READ AND UNDERSTAND THESE INSTRUCTIONS BEFORE INSTALLING LUMINAIRE.

This luminaire is intended for installation in accordance with the National Electrical Code and local regulations.  
 To assure full compliance with local codes and regulations, check with your local electrical inspector before installation.  
 To prevent electric shock, turn off electricity at main power supply before proceeding. Retain these instructions for maintenance reference.

### 6LE-AURA-CT with "CX" Setup / Control Option COMMISSIONING TOOL SETUP WITH HARD WIRED DMX CONTROL

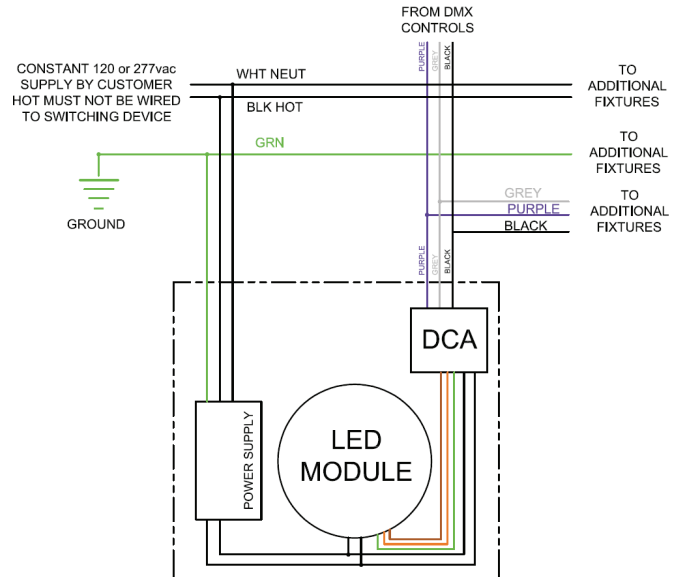
#### DMX HARD WIRING FOR FIXTURES WITH LCT COMMISSION TOOL SETUP

Aura Fixtures are capable of control via DMX inputs. For "CX" models, the DMX controls are provided via a Digital Control Adapter onboard the fixture. It is possible to control multiple fixtures from a single Digital Control Adapter. The Digital Control Adapter is addressable. One adapter per fixture makes each fixture addressable. Multiple fixtures on one adapter are not individually addressable. Consult factory for configuration questions.

#### NOTES:

1. Maximum of 32 fixtures in Parallel/Star with one 120 ohm terminator at end of run. Maximum run distance 1800 feet.
2. Additional fixtures, or additional length, may be added by use of a DMX Booster (by others).
3. Module Data +/- wiring is class 2 rated. RS-485.
4. Suggested control wire (unless otherwise required by code) is Belden or equal #9842 2-Pair, Polyethylene Insulation, Chrome PVC Jacket, Drain Wire, UL AWM Style 2919, 30V 80degC, DMX 512.

POWER (120/277VAC) TO FIXTURE TO BE CONSTANT - DO NOT SUPPLY POWER FROM SWITCHED SOURCE



### 6LE-AURA-CT with "IX" Setup / Control Option iOS APP SETUP WITH HARD WIRED DMX CONTROL

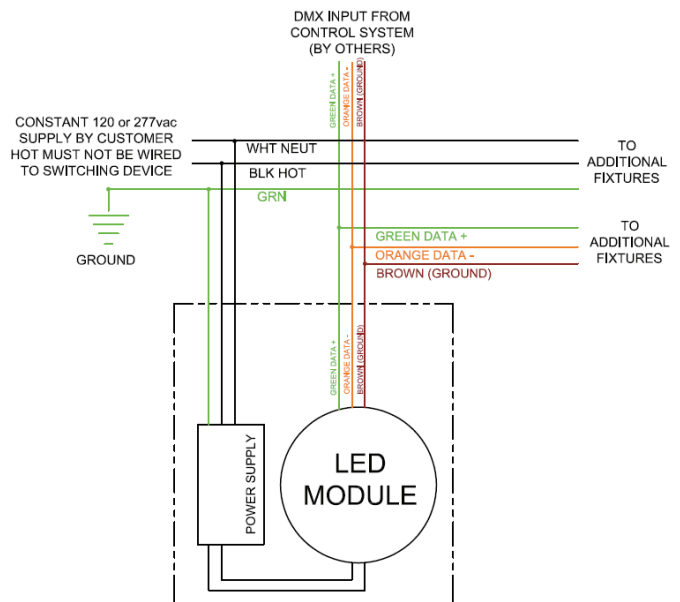
#### DMX HARD WIRING FOR FIXTURES WITH iOS APP SETUP

Aura Fixtures are capable of control via DMX inputs. For "IX" models, the DMX controls are built into the LED Module. Configuration of DMX Channels is accomplished thru the iOS APP. Each fixture is individually addressable.

#### NOTES:

1. Maximum of 32 fixtures in Parallel/Star with one 120 ohm terminator at end of run. Maximum run distance 1800 feet.
2. Additional fixtures, or additional length, may be added by use of a DMX Booster (by others).
3. Module Data +/- wiring is class 2 rated. RS-485.
4. Suggested control wire (unless otherwise required by code) is Belden or equal #9842 2-Pair, Polyethylene Insulation, Chrome PVC Jacket, Drain Wire, UL AWM Style 2919, 30V 80degC, DMX 512.

POWER (120/277VAC) TO FIXTURE TO BE CONSTANT - DO NOT SUPPLY POWER FROM SWITCHED SOURCE



# INSTALLATION / WIRING

## READ AND UNDERSTAND THESE INSTRUCTIONS BEFORE INSTALLING LUMINAIRE.

This luminaire is intended for installation in accordance with the National Electrical Code and local regulations.  
To assure full compliance with local codes and regulations, check with your local electrical inspector before installation.  
To prevent electric shock, turn off electricity at main power supply before proceeding. Retain these instructions for maintenance reference.

### 6LE-AURA-CT with "CE" or "IE" Setup / Control Option COMMISSIONING TOOL or iOS APP SETUP WITH HARD WIRED LUTRON ECOSYSTEM CONTROL

#### LUTRON ECOSYSTEM HARD WIRING FOR FIXTURES WITH LCT COMMISSION TOOL or iOS APP SETUP

Aura Fixtures are capable of control via Lutron ECOSystem inputs. Lutron ECOSystem controls are provided via a Digital Control Adapter onboard the fixture. It is possible to control multiple fixtures from a single Digital Control Adapter. The Digital Control Adapter is addressable. One adapter per fixture makes each fixture addressable. Multiple fixtures on one adapter are not individually addressable. Consult factory for configuration questions.

#### NOTES:

1. Maximum of 32 fixtures in Parallel/Star with one 120 ohm terminator at end of run. Maximum run distance 1800 feet.
2. Module Data +/- wiring from Digital Control Adapter to LED Module (if required - multiple LED Modules with one DCA) is class 2 rated. RS-485. By others.
3. Suggested control wire (unless otherwise required by code) is Belden or equal #9842 2-Pair, Polyethylene Insulation, Chrome PVC Jacket, Drain Wire, UL AWM Style 2919, 30V 80degC, DMX 512.

POWER (120/277VAC) TO FIXTURE TO BE CONSTANT  
- DO NOT SUPPLY POWER FROM SWITCHED SOURCE

