

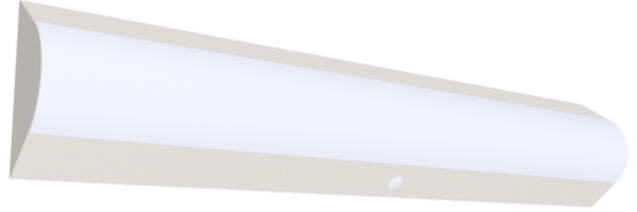
S1250



DIRECT OUTPUT LINEAR

features

- wall, surface, suspended or recessed mounting - extended row mounting configurations available
- available in multiple standard lengths - custom lengths available to match customer layouts
- ada compliant wall mounting under 4" depth
- snap in diffuse ribbed acrylic lens
- 0-10v dimming down to 1% standard (consult factory for other dimming options)
- available with 0/50/100 step dimming
- available with integral occupancy sensor for on/off or step dimming applications
- **construction:** heavy gauge cold rolled steel
- **finish:** standard polyester powder coat - white, black or silver standard colors - other finishes/colors available (consult factory)
- all components accessible from below for servicing
- fixtures cETLus listed for damp locations



fixture/type(s): project:

S1250						AL		UNV	
series	mounting	color temp	direct lumen	indirect lumen	length	diffuser	finish	voltage	options

distribution

D - DIRECT

mounting

- AC - ADJUSTABLE AIRCRAFT CABLE (48" STANDARD)
- P - PENDANT / CANOPY (24" STANDARD)
- SP - SWIVEL PENDANT / CANOPY (45"/24" STANDARD)
- W - WALL MOUNTED
- S - SURFACE

color temp+

- 27K - 2700K
- 30K - 3000K
- 35K - 3500K
- 40K - 4000K
- 50K - 5000K*
- 30KS - 3000K BIOS® Static
- 35KS - 3500K BIOS® Static
- 40KS - 4000K BIOS® Static
- 30KD - 3000-2700K BIOS® Dynamic
- 35KD - 3500-3000K BIOS® Dynamic
- 40KD - 4000-3500K BIOS® Dynamic

*NOT AVAILABLE IN 90CRI

lumen output

- 035 - 350LM/FT - 2.2W/FT
- 055 - 550LM/FT - 3.4W/FT
- 085 - 850LM/FT - 5.1W/FT
- 110 - 1100LM/FT - 6.8W/FT
- 165 - 1650LM/FT - 10.6W/FT
- 220 - 2200LM/FT - 14.3W/FT**

**NOT AVAILABLE WITH BIOS

length+

- 2'- 2 FOOT
- 3'- 3 FOOT
- 4'- 4 FOOT
- 5'- 5 FOOT
- 6'- 6 FOOT
- 7'- 7 FOOT
- 8'- 8 FOOT

diffuser

AL - RIBBED ACRYLIC LENS

finish

- WHT - WHITE POWDER COAT
- BLK - BLACK POWDER COAT
- SLV - SILVER POWDER COAT
- CA - CUSTOM COLORS (CONSULT FACTORY)

voltage

UNV - UNIVERSAL (120/277V)

options

- GLR - IN LINE FUSING
- EM - EMERGENCY BATTERY BACKUP
- 90C - 90+ CRI
- OCC - INTEGRAL OCCUPANCY SENSOR

+ See following pages for more information about this option

Some options may not be available in all combinations.
All fixture configurations subject to final factory approval.

Specifications and Dimensions are subject to change without notice.



BIOS Illuminated®

BIOS SkyBlue® lighting solutions contribute to satisfying Circadian Lighting Design Feature 54 under WELL Building Standard v1 and Feature L03 under the WELL Building Standard v2. BIOS SkyBlue also meets other features within the WELL Light Concept, including color quality with 83+ CRI and R9 values at 90, visual comfort metrics, and higher m/p ratios than traditional LED lighting.

STATIC LIGHT ENGINE - Option Codes 30KS, 35KS, 40KS

BIOS SkyBlue Static Spectrum lighting solutions support proper daytime circadian stimulus, communicating directly with human circadian biology through a non-visual photo receptor in the eye. With SkyBlue, there is no need for color tuning, color temperature adjustments or significantly increasing light levels. Consider the Static Spectrum Light Engine when the fixtures will illuminate spaces occupied primarily during the daytime hours.

DYNAMIC LIGHT ENGINE - Option Codes 30KD, 35KD, 40KD

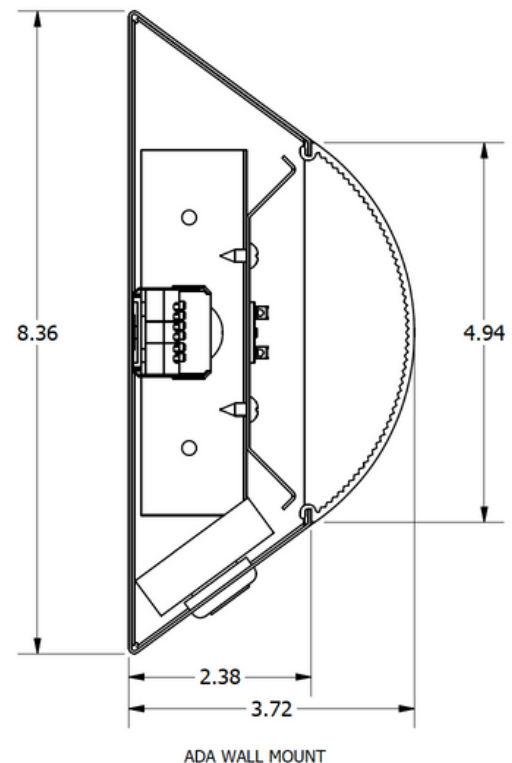
BIOS SkyBlue Dynamic Spectrum lighting solutions provide full daytime circadian stimulus, communicating directly with human circadian biology through a non-visual photo receptor in the eye. With SkyBlue, there is no need for color tuning, color temperature adjustments, or extra illumination. The SkyBlue Dynamic Light Engine automatically calibrates the light level, reducing melanopic lux while keeping photopic lux at a constant level when used in conjunction with proper dimming controls. Consider the Dynamic Spectrum Light Engine when the fixtures will illuminate spaces occupied during both daytime and nighttime hours.

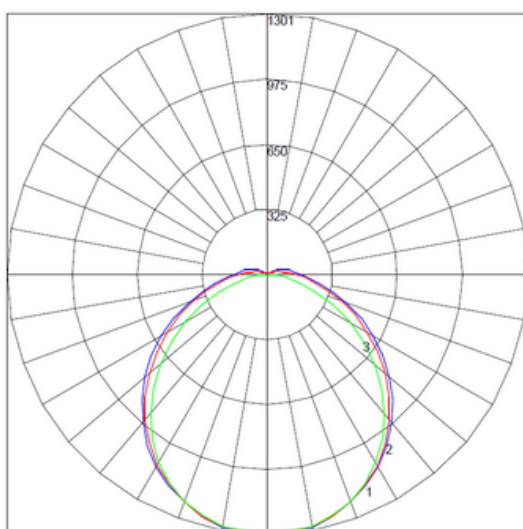
NOMINAL LUMENS AT 4000K - 80CRI

2700 (90CRI)	89.1%
3000 (80CRI)	95.9%
3000 (90CRI)	92.3%
3500 (80CRI)	99.1%
3500 (90CRI)	95.0%
4000 (80CRI)	100%
4000 (90CRI)	95.9%
5000 (80CRI)	100.1%

FIXTURE LENGTHS

LENGTH CODE	LENGTH - W, S, AC, P, SP
2'	22.50"
3'	33.50"
4'	44.50"
5'	55.75"
6'	66.75"
7'	78.00"
8'	89.00"





Maximum Candela = 1300.54 Located At Horizontal Angle = 90, Vertical Angle = 5
 # 1 - Vertical Plane Through Horizontal Angles (90 - 270) (Through Max. Cd.)
 # 2 - Vertical Plane Through Horizontal Angles (45 - 225)
 # 3 - Vertical Plane Through Horizontal Angles (0 - 180)

ZONAL LUMEN SUMMARY

Zone	Lumens	%Lamp	%Fixt
0-20	476.49	10.80	11.80
0-30	1011.56	23.00	25.10
0-40	1653.78	37.60	41.00
0-60	2904.47	66.00	72.10
0-80	3671.04	83.40	91.10
0-90	3850.23	87.50	95.50
10-90	3727.05	84.70	92.50
20-40	1177.3	26.80	29.20
20-50	1837.26	41.80	45.60
40-70	1710.38	38.90	42.40
60-80	766.57	17.40	19.00
70-80	306.88	7.00	7.60
80-90	179.19	4.10	4.40
90-110	150.98	3.40	3.70
90-120	173.32	3.90	4.30
90-130	179.15	4.10	4.40
90-150	179.49	4.10	4.50
90-180	179.49	4.10	4.50
110-180	28.51	0.60	0.70
0-180	4029.72	91.60	100.00

Total Luminaire Efficiency = 91.60%

CHARACTERISTICS

Lumens Per Lamp	2200 (2 lamps)
Total Lamp Lumens	4400
Luminaire Lumens	4030
Total Luminaire Efficiency	92 %
Luminaire Efficacy Rating (LER)	148
Total Luminaire Watts	27.2
Ballast Factor	1.00
CIE Type	Direct
Spacing Criterion (0-180)	1.24
Spacing Criterion (90-270)	1.28
Spacing Criterion (Diagonal)	1.38
Basic Luminous Shape	Rectangular w/Sides
Luminous Length (0-180)	3.72 ft
Luminous Width (90-270)	0.70 ft
Luminous Height	0.31 ft